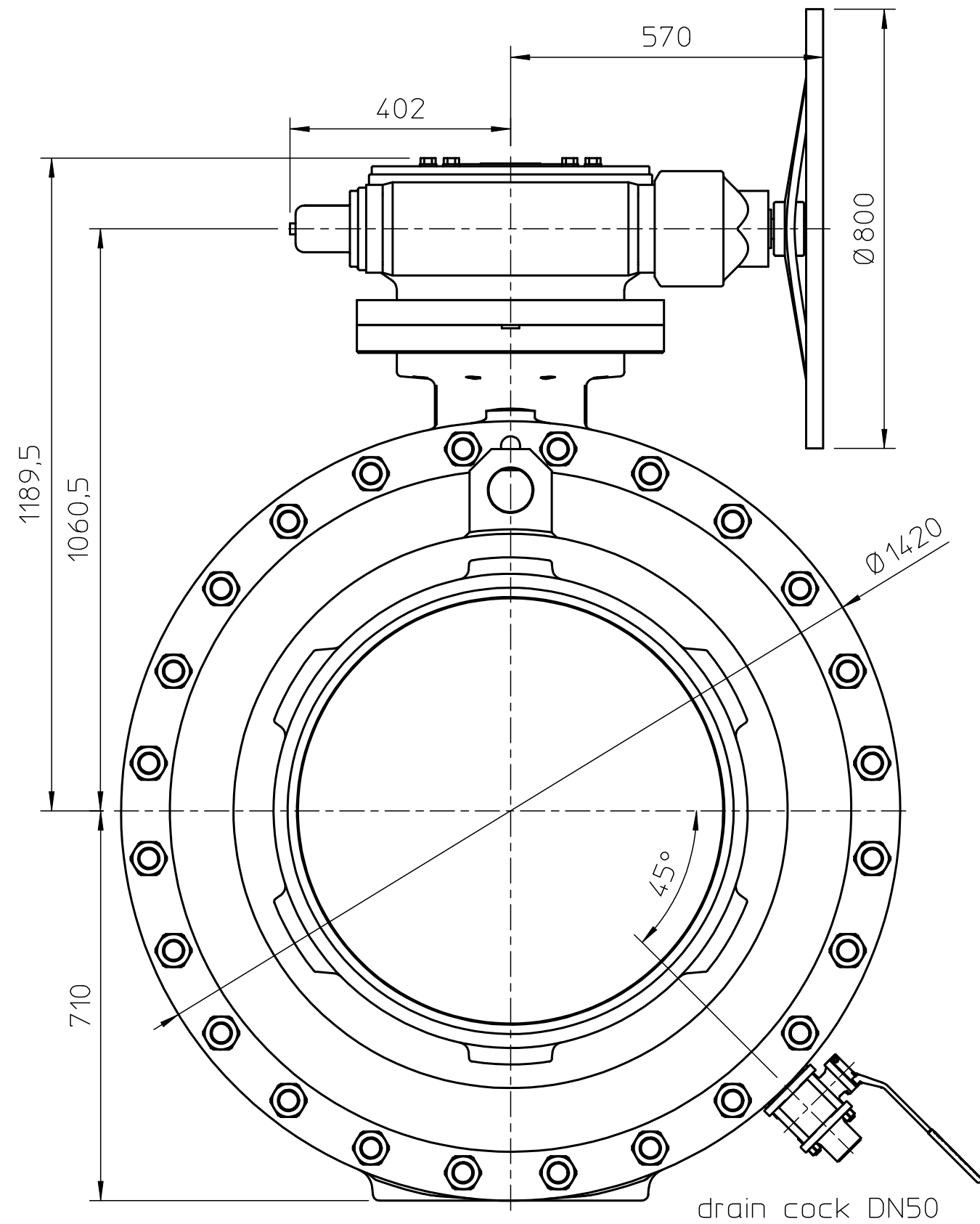
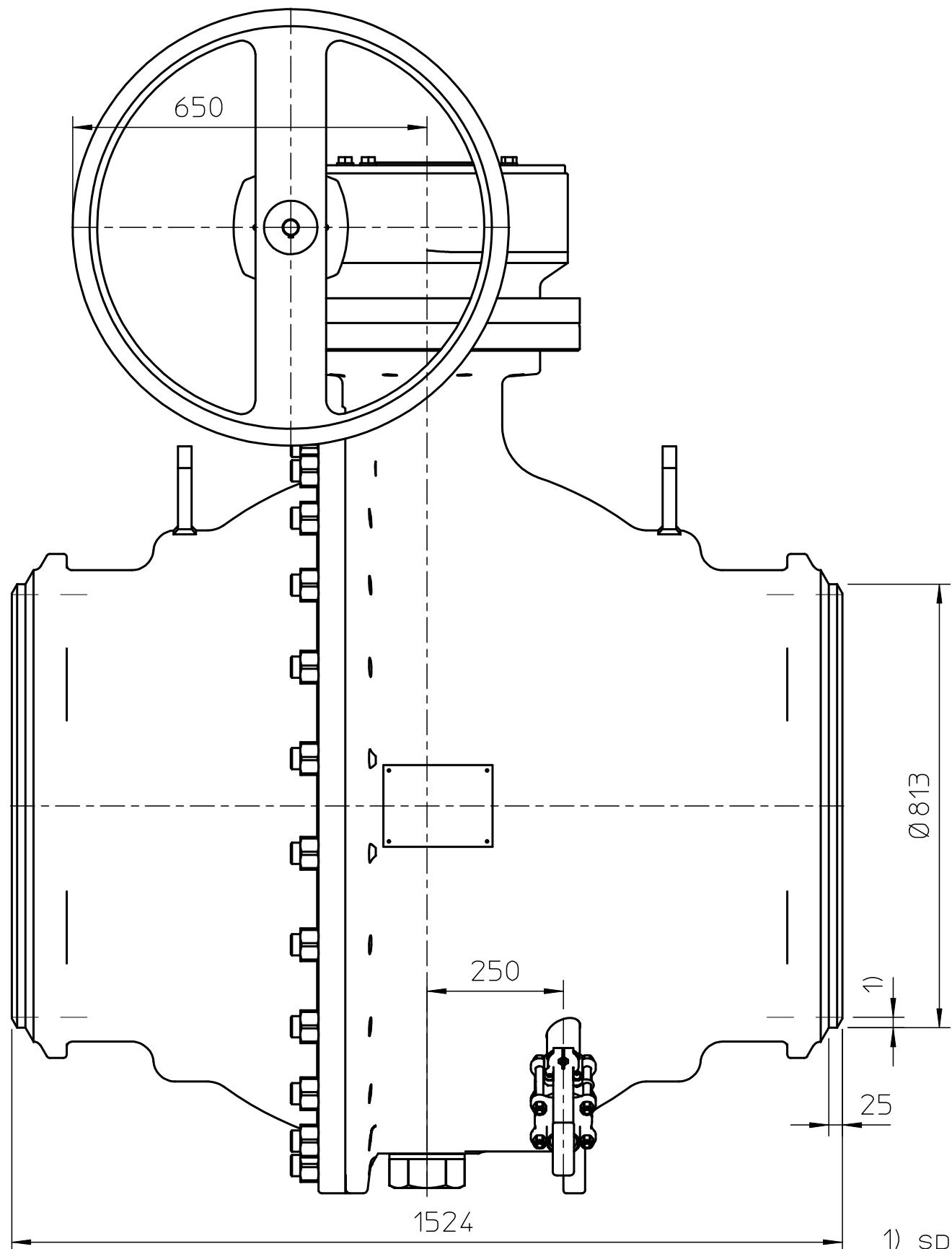


KLINGER ballostar ball valve type KHSV(W)I 800 VII-AF(799)-KFC PN25, with
worm gear type AUMA GS250.3/GZ250.3-4/H.



1) spec. by purchaser

total weight: ca. 4500kg

drw.: 21.10.10 SA
wOH31780-11